

Cable socket in metall housing

M12x1 5-polig



Technical data

Model	EZE53
Connector locking	screw
Termination	screw
Cable size (mm)	0,75 mm ²
Cable size (AWG)	18
Cable outlet	4-6 mm
Protection	IP 67
Mechanical life	>100 mating cycles
Upper temperature	+85 °C
Lower temperature	-40 °C
Rated voltage	125 V
Rated surge voltage	1500 V
Pollution degree	3
Overtoltage category	II
Insolation Material group	III
Rated current (40 ° C)	4 A
contact resistance	≤ 3 mΩ
Contact Material	CuZn (brass)
Plating	Au (Gold)
Contact Body Material	PA
Case material	plated zinc die-cast

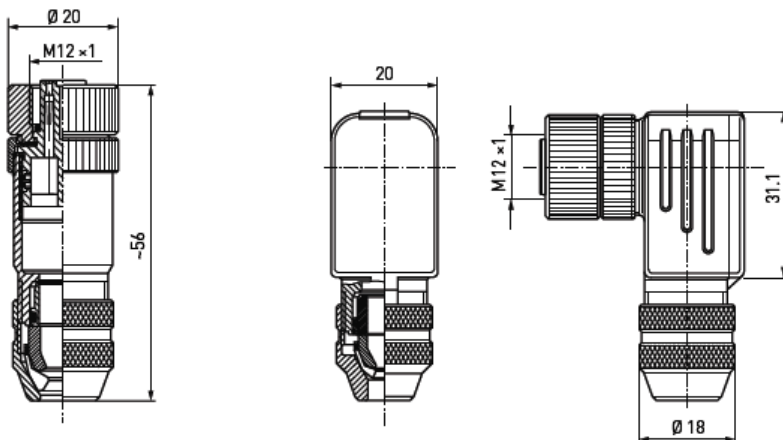
Features

- Aktor-/Sensor connection
- Straight version (EZE53X011055)
Self-securing M12-screw coupling
- Angulated version (EZE53011053)
Self-securing M12-screw coupling; 90° angulated
- Shielded by metal housing
- Socket M 12 × 1 for individual customization

Applications

Universal for actuator / sensor connection

Dimension



straight version

angular version

Subject to technical changes

Model: EZE53X011055,
EZE53X011053